

AMMENDMENT	Rev	Date
For comment	A	24-09-2015
For use	1	19-01-2016

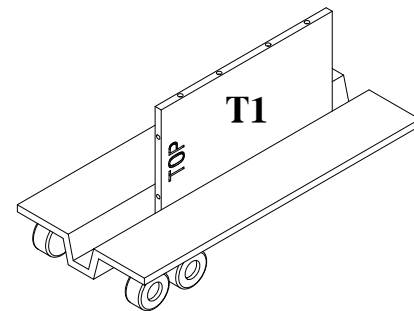


THIS INFORMATION IS PROVIDED AS A GUIDE ONLY, PLEASE REFER TO:  
 -ENGINEERS DRAWING DETAILS.  
 -APPROVED CODE OF PRACTICE FOR THE SAFE HANDLING, TRANSPORTATION AND ERECTION OF PRECAST CONCRETE.  
 -APPROVED CODE OF PRACTICE FOR LOAD-LIFTING RIGGING.  
 -LOAD LIFTING DESIGNERS DIAGRAMS, i.e. REID, ETC.

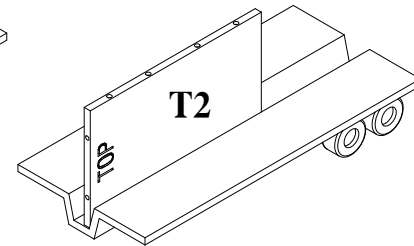
**IMPORTANT**  
 REFER TO THE PANEL SUPPLIER'S SHOP DRAWINGS FOR THE RIGGING ARRANGEMENTS TO BE USED FOR EACH OPERATION.  
 ENSURE ALL LIFTING CLUTCHES AND OTHER EQUIPMENT IS COMPATIBLE WITH THE DEVICES CAST INTO THE PANEL BEFORE ATTACHING.  
 ENSURE LOADS TO BE IMPOSED ON ALL DEVICES ARE WITHIN THE MANUFACTURER'S RECOMMENDATIONS.

IF ANY CODE ON A DRAWING OR PANEL LABEL STATED AS 'SPECIAL' OR 'S' REFER TO THE SPECIFIC SHOP DRAWING FOR RIGGING/LIFTING ARRANGEMENT

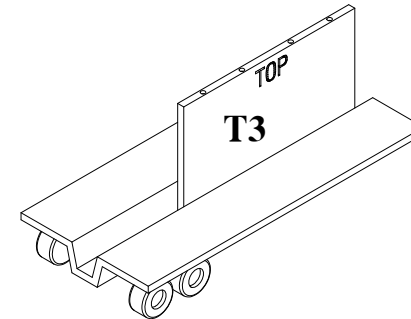
PRECAST RIGGING CODE  
**PLACING OPTIONS**



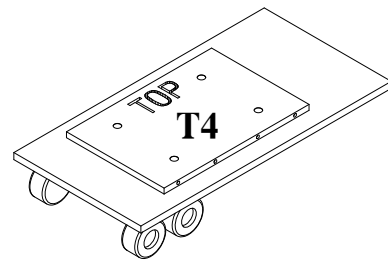
VERTICAL TOP OF PANEL TO REAR OF TRAILER



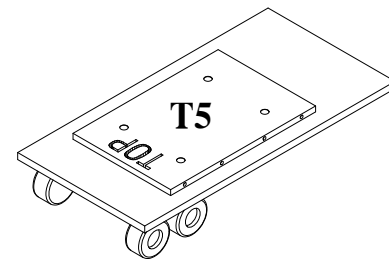
VERTICAL TOP OF PANEL TO FRONT OF TRAILER



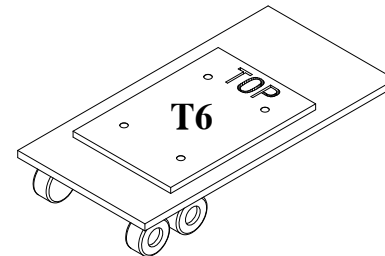
VERTICAL TOP OF PANEL TO TOP OF TRAILER



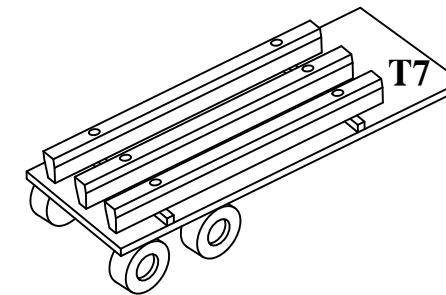
FLAT LIFT, TOP OF PANEL TO SIDE OF TRAILER



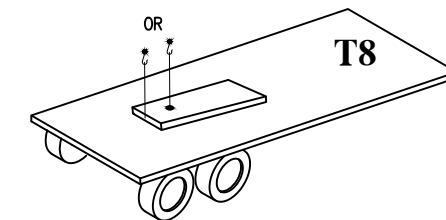
FLAT LIFT, TOP OF PANEL TO REAR OF TRAILER



FLAT LIFT, TOP OF PANEL TO FRONT OF TRAILER



TRANSPORT ON FLAT DECK DUNNAGE UNDER LIFTING POINTS (UNISPAN, INTERSPAN, BEAMS AND OTHERS SIMILAR ITEMS)



1 WAY TOP EDGE

AMMENDMENT	Rev	Date
For comment	A	24-09-2015
For use	1	19-01-2016

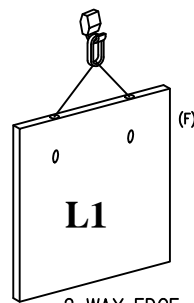


THIS INFORMATION IS PROVIDED AS A GUIDE ONLY, PLEASE REFER TO:  
 -ENGINEERS DRAWING DETAILS.  
 -APPROVED CODE OF PRACTICE FOR THE SAFE HANDLING, TRANSPORTATION AND ERECTION OF PRECAST CONCRETE.  
 -APPROVED CODE OF PRACTICE FOR LOAD-LIFTING RIGGING.  
 -LOAD LIFTING DESIGNERS DIAGRAMS, i.e. REID, ETC.

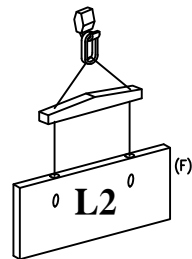
**IMPORTANT**  
 REFER TO THE PANEL SUPPLIER'S SHOP DRAWINGS FOR THE RIGGING ARRANGEMENTS TO BE USED FOR EACH OPERATION.  
 ENSURE ALL LIFTING CLUTCHES AND OTHER EQUIPMENT IS COMPATIBLE WITH THE DEVICES CAST INTO THE PANEL BEFORE ATTACHING.  
 ENSURE LOADS TO BE IMPOSED ON ALL DEVICES ARE WITHIN THE MANUFACTURER'S RECOMMENDATIONS.

IF ANY CODE ON A DRAWING OR PANEL LABEL STATED AS 'SPECIAL' OR 'S' REFER TO THE SPECIFIC SHOP DRAWING FOR RIGGING/LIFTING ARRANGEMENT

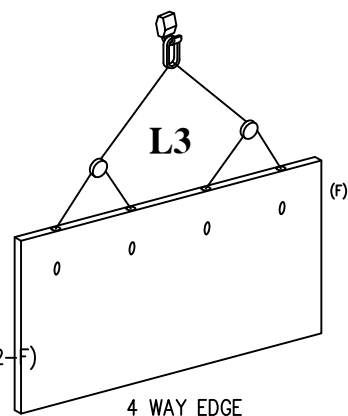
PRECAST RIGGING CODE  
**TRANSPORT  
 OPTIONS**



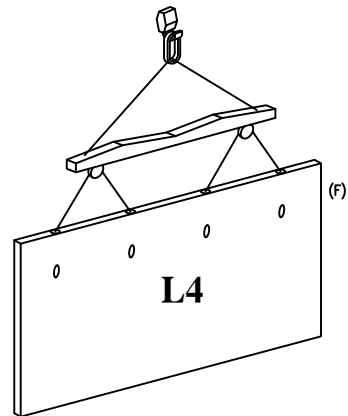
L1  
2 WAY EDGE  
OR  
2 WAY FACE (L1-F)



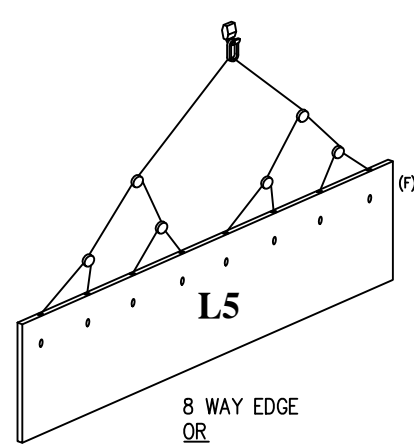
L2  
2 WAY EDGE WITH SPREADER  
OR  
2 WAY FACE WITH SPREADER (L2-F)



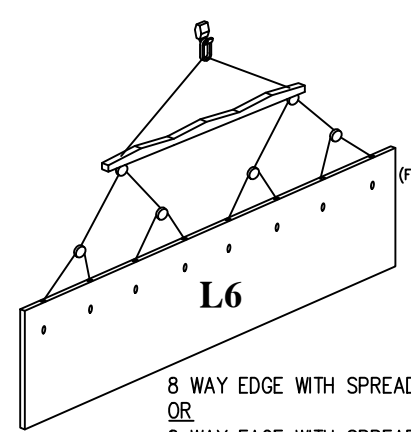
L3  
4 WAY EDGE  
OR  
4 WAY FACE (L3-F)



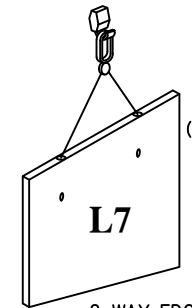
L4  
4 WAY EDGE WITH SPREADER AND TOP PULLEYS  
OR  
4 WAY FACE WITH SPREADER AND TOP PULLEYS (L4-F)



L5  
8 WAY EDGE  
OR  
8 WAY FACE (L5-F)

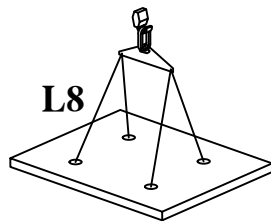


L6  
8 WAY EDGE WITH SPREADER  
OR  
8 WAY FACE WITH SPREADER (L6-F)

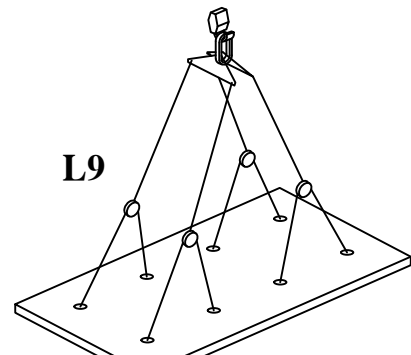


L7  
2 WAY EDGE WITH TOP PULLEY  
OR  
2 WAY FACE WITH TOP PULLEY (L7-F)

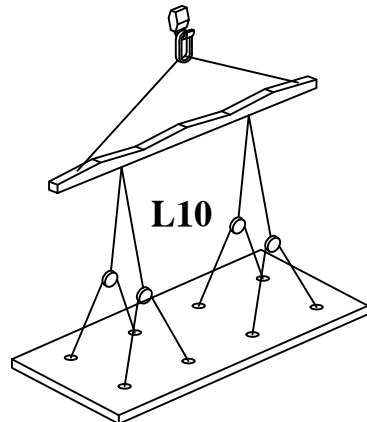
NOTE:  
F - DENOTES FACE LIFT



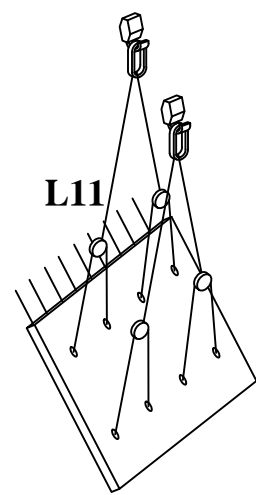
L8  
4 WAY FACE FLAT LIFT EQUAL LOADS



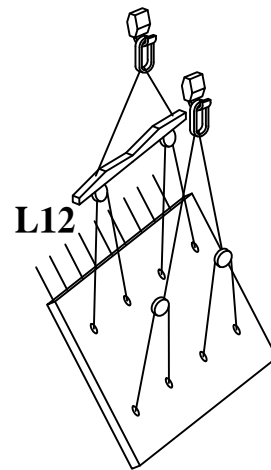
L9  
8 WAY FACE FLAT LIFT EQUAL LOADS  
NO TOP PULLEYS



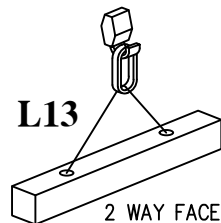
L10  
8 WAY FACE WITH SPREADER NO TOP PULLEYS



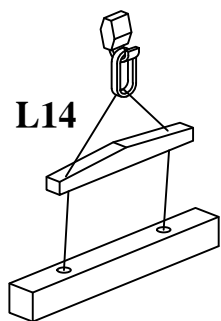
L11  
8 WAY FACE 2 HOOKS  
(FOR ROTATION FROM HORIZONTAL TO VERTICAL OR VICE VERSA)



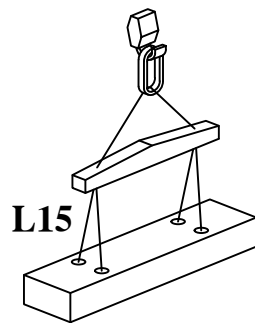
L12  
8 WAY FACE 2 HOOKS (WITH SPREADER)  
(FOR ROTATION FROM HORIZONTAL TO VERTICAL OR VICE VERSA)



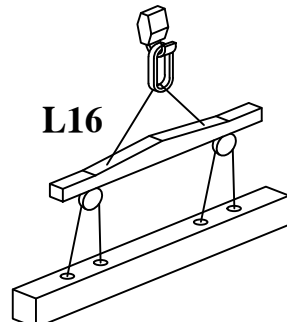
L13  
2 WAY FACE



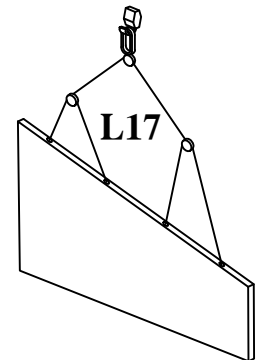
L14  
2 WAY FACE WITH SPREADER



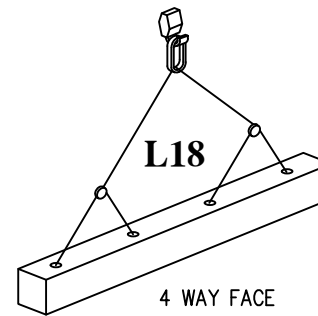
L15  
4 WAY FACE DOUBLE ROW WITH SPREADER  
NO TOP PULLEYS



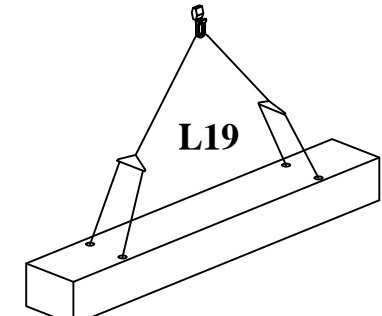
L16  
4 WAY FACE SINGLE ROW WITH SPREADER AND TOP PULLEYS



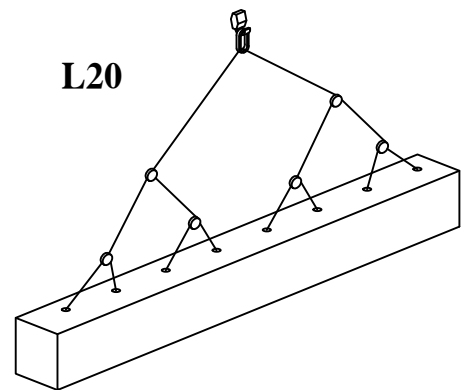
L17  
4 WAY EDGE WITH 3 PULLEYS



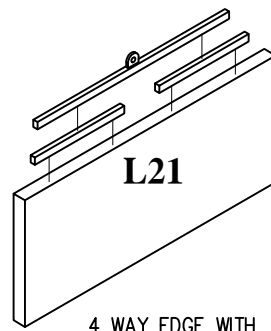
L18  
4 WAY FACE



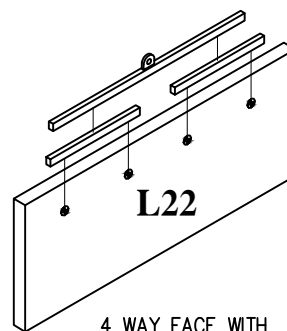
L19  
4 WAY FACE, FIXED CHAINS WITH EQUALISING TRIANGLES



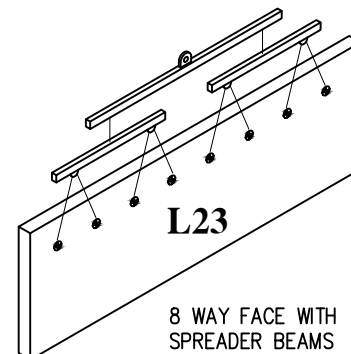
L20  
8 WAY FACE



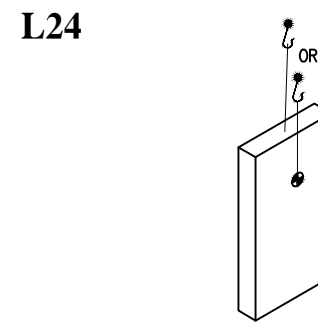
L21  
4 WAY EDGE WITH SPREADER BEAMS



L22  
4 WAY FACE WITH SPREADER BEAMS



L23  
8 WAY FACE WITH SPREADER BEAMS



L24  
1 WAY TOP EDGE or  
1 WAY FACE

AMMENDMENT	Rev	Date
For comment	A	24-09-2015
For use	1	19-01-2016

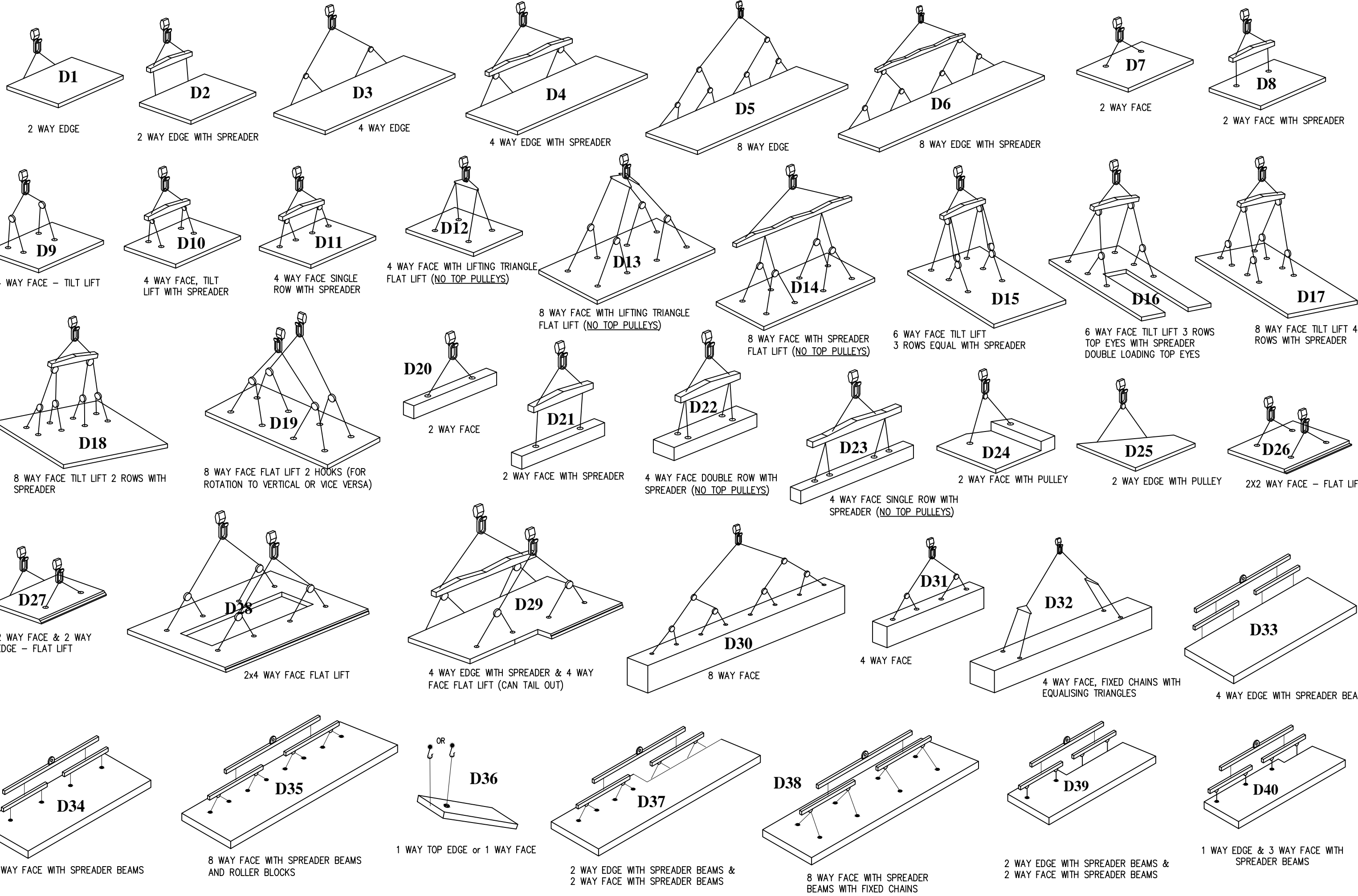


THIS INFORMATION IS PROVIDED AS A GUIDE ONLY, PLEASE REFER TO:  
 -ENGINEERS DRAWING DETAILS.  
 -APPROVED CODE OF PRACTICE FOR THE SAFE HANDLING, TRANSPORTATION AND ERECTION OF PRECAST CONCRETE.  
 -APPROVED CODE OF PRACTICE FOR LOAD-LIFTING RIGGING.  
 -LOAD LIFTING DESIGNERS DIAGRAMS, i.e. REID, ETC.

**IMPORTANT**  
 REFER TO THE PANEL SUPPLIER'S SHOP DRAWINGS FOR THE RIGGING ARRANGEMENTS TO BE USED FOR EACH OPERATION.  
 ENSURE ALL LIFTING CLUTCHES AND OTHER EQUIPMENT IS COMPATIBLE WITH THE DEVICES CAST INTO THE PANEL BEFORE ATTACHING.  
 ENSURE LOADS TO BE IMPOSED ON ALL DEVICES ARE WITHIN THE MANUFACTURER'S RECOMMENDATIONS.

IF ANY CODE ON A DRAWING OR PANEL LABEL STATED AS 'SPECIAL' OR 'S' REFER TO THE SPECIFIC SHOP DRAWING FOR RIGGING/LIFTING ARRANGEMENT

PRECAST RIGGING CODE  
**LOADING OPTIONS**



AMMENDMENT	Rev	Date
For comment	A	24-09-2015
For use	1	19-01-2016



THIS INFORMATION IS PROVIDED AS A GUIDE ONLY, PLEASE REFER TO:  
 -ENGINEERS DRAWING DETAILS.  
 -APPROVED CODE OF PRACTICE FOR THE SAFE HANDLING, TRANSPORTATION AND ERECTION OF PRECAST CONCRETE.  
 -APPROVED CODE OF PRACTICE FOR LOAD-LIFTING RIGGING.  
 -LOAD LIFTING DESIGNERS DIAGRAMS, i.e. REID, ETC.

**IMPORTANT**  
 REFER TO THE PANEL SUPPLIER'S SHOP DRAWINGS FOR THE RIGGING ARRANGEMENTS TO BE USED FOR EACH OPERATION.  
 ENSURE ALL LIFTING CLUTCHES AND OTHER EQUIPMENT IS COMPATIBLE WITH THE DEVICES CAST INTO THE PANEL BEFORE ATTACHING.  
 ENSURE LOADS TO BE IMPOSED ON ALL DEVICES ARE WITHIN THE MANUFACTURER'S RECOMMENDATIONS.

IF ANY CODE ON A DRAWING OR PANEL LABEL STATED AS 'SPECIAL' OR 'S' REFER TO THE SPECIFIC SHOP DRAWING FOR RIGGING/LIFTING ARRANGEMENT

PRECAST RIGGING CODE  
**DEMOULDING OPTIONS**